



# Wingrove Marketing Pty. Ltd.

ABN 47 041 945 367 10 Meehan Place, Kirrawee NSW Australia 2232

Telephone 61 2 8539 7300 Facsimile 61 2 8539 7677

Email sales@wingrovetmarketing.com.au

Website www.wingrovetmarketing.com.au

## MS-UR Connector



### For General Butt Splicing

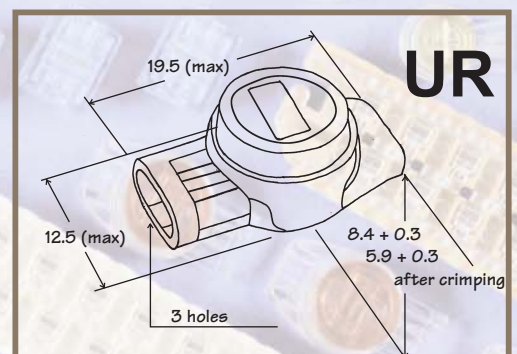
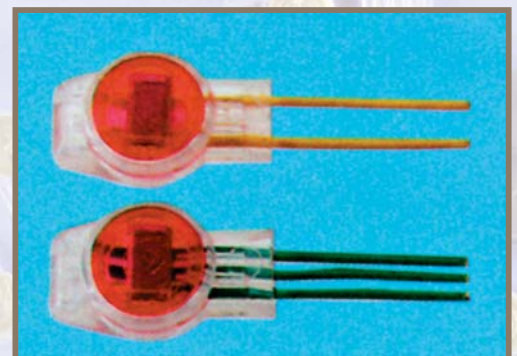
This gel-filled moisture resistant UR insulation butt connector (Red lid) is self-stripping and is designed to be used for either two or three-wire connections. It consists of three ports for straight and bridge splicing.

The UR connection will accept two or three-wire combinations of 19 (0.9mm) through 26 (0.4mm) AWG air core or 22 (0.6mm) through 26 (0.4mm) AWG filled cable with a maximum insulation O.D. of 1.67 mm.

### Technical Information

- Gel-filled IDC
- Insulated tap connector for two or three solid-copper conductors of 19 to 26 AWG having maximum O.D. of 1.67 mm
- Simple crimp connection using MS-Crimping Tool for fast, easy and reliable installation
- Moisture resistant sealant, rated to IP 67
- Dust resistant
- Immersible up to 1 metre
- Dielectric strength 3.0KV min (at 60HZ AC test voltage and a rate of 500V (RMS)/sec)
- High humidity insulation resistance of 105 M-ohm minimum
- Water immersion insulation resistance 100M-ohm minimum
- Connection resistance change is 2M-ohm maximum (after testing for vibration)

| Connector UR                               |  |
|--|--|
| Maximum Insulation O.D.                    |  |
| Metric (mm)                                | 1.67   |
| Inches                                     | 0.066  |
| Cable Type                                 |  |
| PIC-unfilled and PIC-filled, Pulp or Paper |  |
| AWG  | 19-26  |
| Metric (mm)                                | 0.9-0.4  |
| Ordering Information                       |  |
| Gross Weight (net in kg)                   | 14.20 (12.0) Per carton  |
| Packing Size (cm)                          | 38x30x28 Per carton  |
| Package Quantity                           | 100 pcs/small box<br>500 pcs/small bag<br>1,000 pcs/box<br>5,000 pcs/bulk bag<br>10,000 pcs/carton |



Exclusive Representative for



**MAINSTRING CO., LTD.**

Hsin Ying Industrial Area  
Suburb No 2, Shin Yea Street, Hsin Ying,  
Tainan, Taiwan R.O.C.

Australian TM application 1102134 & 1102146  
New Zealand TM application 743940 & 743944



# Wingrove Marketing Pty. Ltd.

ABN 47 041 945 367 10 Meehan Place, Kirrawee NSW Australia 2232

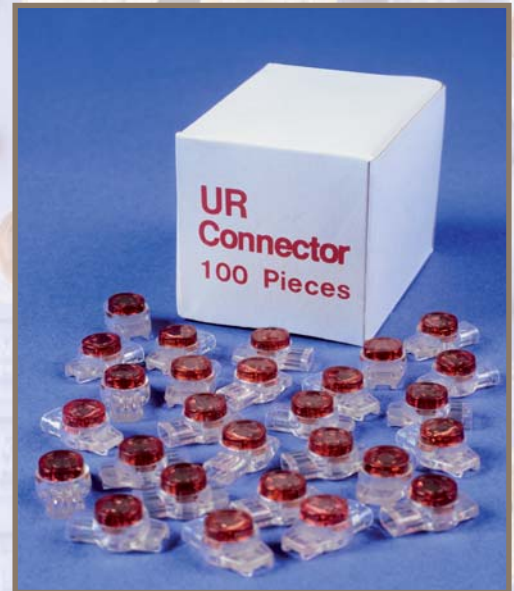
Telephone 61 2 8539 7300 Facsimile 61 2 8539 7677

Email sales@wingrovemarketing.com.au

Website www.wingrovemarketing.com.au

## MS MAINSTRING IDC Gel Connectors for Communication Applications

| ORDERING INFORMATION                                    |              |                 |                      |
|---|--------------|-----------------|----------------------|
| MS Insulation Displacement Connectors for Communication |              |                 |                      |
| Product ID  | Part No.     | Inner Unit Pack | Wholesaler Order Qty |
| MS-UR   | MS-UR-100B   | 100/box         | 1,000 box            |
|   | MS-UR-500B   | 500/bag         | 5,000 bulk bag       |
|   | MS-UR-1000B  | 1,000/box       | 10,000 carton        |
| MS-UR-Dry   | MS-URD-100B  | 100/box         | 1,000 box            |
|   | MS-URD-500B  | 500/bag         | 5,000 bulk bag       |
|   | MS-URD-1000B | 1,000/box       | 10,000 carton        |



## Crimping Tool

The crimping tool is small, light weight, easy-to-handle and economical. It has stepped jaws that provide a nearly parallel crimping action at time of connection.

The crimping tool also features side wire cutting and insulated handles. It is designed for use with UR, UB and UY connectors.

| Ordering Information |                              |
|----------------------|------------------------------|
| Gross (Net) Weight   | 11.4 (10.4) kg<br>Per carton |
| Packing Size         | 37x31x19 cm<br>Per Carton    |
| Package Quantity     | 1/bag<br>6/box<br>72/carton  |



| ORDERING INFORMATION                                    |              |                 |                      |
|---|--------------|-----------------|----------------------|
| MS Insulation Displacement Connectors for Communication |              |                 |                      |
| Product ID  | Part No.     | Inner Unit Pack | Wholesaler Order Qty |
| MS-Crimping Tool  | MS-CTool-6B  | 1/bag           | 6/box                |
|   | MS-CTool-72B | 6/box           | 72/carton            |

Exclusive Representative for



**MAINSTRING CO., LTD.**

Hsin Ying Industrial Area  
Suburb No 2, Shin Yea Street, Hsin Ying,  
Tainan, Taiwan R.O.C.

Australian TM application 1102134 & 1102146  
New Zealand TM application 743940 & 743944